

# MODEL: 289 PROFOAM

## INSTALLATION INSTRUCTIONS

### 1. PARTS:

- A. Spray Gun
- B. ProFoam Gun
- C. ProFoam Wand
- D. Metering Tip Kit

### 2. APPLICATION:

The model 289 ProFoam can be used for cleaning and sanitizing supermarket meat cutting rooms, kitchens and food preparation areas. Additional uses are shower rooms, restrooms, locker rooms, animal cages, dairy equipment, trucks and automobiles. The 289 ProFoam may be used in conjunction with foaming degreasers, disinfectants, detergents and tile cleaners. Dema recommends the use of two 289 ProFoam units in areas to be cleaned; one for foaming and the other for rinsing and sanitizing.

### 3. INSTALLATION:

**Note: All installations must conform to local plumbing codes and use of an approved backflow preventer is required.**

Remove the plastic bottle from the ProFoam gun and fill it with the chemical product to be sprayed. Before reattaching the bottle to the ProFoam gun refer to Table 1 and select the proper color coded metering tip. Note: The metering tip should be selected to match the dilution suggested by the chemical manufacture. Remove the chemical pickup tube and install the metering tip by screwing it into the chemical pickup hose barb. Reinstall the chemical pickup tube and bottle. The ProFoam gun may now be connected to the spray gun by pulling back on the brass quick disconnect sleeve and inserting the ProFoam gun. The ProFoam wand is installed by aligning the release button tab with the top of the ProFoam gun body and sliding the wand over the ProFoam gun until latched. Note: The ProFoam wand may be removed by pushing the release button down and pulling the wand away from the ProFoam gun body until the release tab clears the catch on the ProFoam gun body; continue to pull the wand away from the gun until clear from unit.

### 4. OPERATION:

Turn on the water supply and squeeze the spray gun trigger. Using the 289 ProFoam with the gun and wand attached the 289 will produce a thick rich foam. Note: The 289 ProFoam will only produce foam in conjunction with chemicals having foaming agent. To spray a detergent cleaner or sanitize remove the ProFoam wand and squeeze the spray gun trigger. For final clear water rinsing remove the 289 ProFoam from the spray gun and squeeze the trigger. Note: Using the 289 ProFoam with the proper metering tip installed will produce a chemical water solution at the desired dilution rate with the ProFoam wand removed or attached. Please note: Model 289-3 and 289CRY does not come with a metering tip kit.

### 5. MAINTENANCE:

After each use, the 289 ProFoam should be cleaned of any chemical to insure trouble free operation.

### 6. WARNING:

Wear eye protection that complies with ANSI Standard Z87.1. Wear protective clothing and use a respirator when using with chemicals. Spray in a well ventilated, open area.

### RETURNS:

**NO MERCHANDISE MAY BE RETURNED FOR CREDIT WITHOUT DEMA'S WRITTEN PERMISSION. RETURN MERCHANDISE AUTHORIZATION NUMBER REQUIRED IN ADVANCE OF RETURN.**

### WARRANTY:

DEMA products are warranted against defective material and workmanship under normal use and service for one year from the date of manufacture. This limited warranty does not apply to any products which have a normal life shorter than one year or failure and damage caused by chemicals, corrosion, improper voltage supply, physical abuse, or misapplication. Rubber and synthetic rubber parts such as "o"-rings, diaphragms, squeeze tubing and gaskets are considered expendable and are not covered under warranty. This warranty is extended only to the original buyer of DEMA products. If products are altered or repaired without prior approval of DEMA, this warranty will be void.

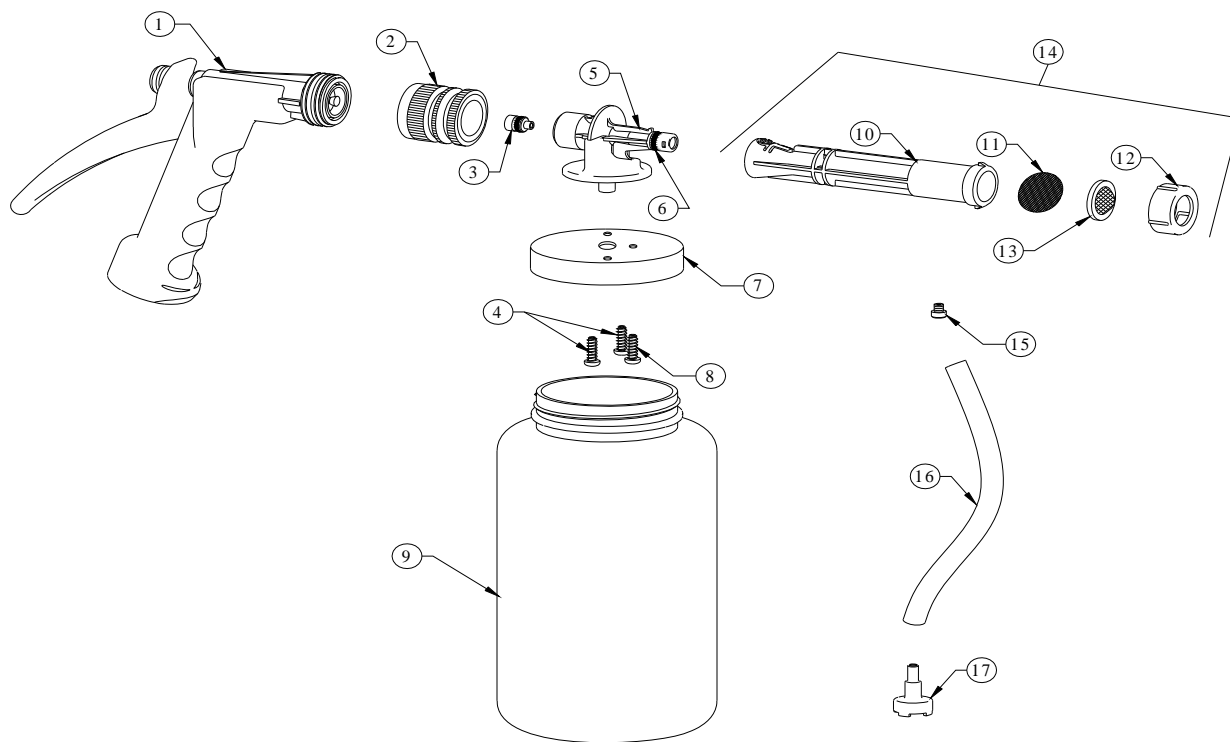
Defective units or parts should be returned to the factory with transportation prepaid. If inspection shows them to be defective, they will be repaired or replaced without charge, F.O.B. factory. DEMA assumes no liability for damages. Return merchandise authorization number, to return units for repair or replacement, must be granted in advance of return.

# MODEL: 289 PROFOAM

## INSTALLATION INSTRUCTIONS

Metering Tip Color	Injection Rates For Viscosities shown					
	1 cps		75 cps		200 cps	
	Oz/gal	Ratio	Oz/gal	Ratio	Oz/gal	Ratio
Tan	0.80	160-1	0.68	188-1	0.26	500-1
Orange	1.14	112-1	0.90	142-1	0.46	281-1
Turquoise	1.56	82-1	1.05	122-1	0.73	176-1
Pink	2.18	59-1	1.83	70-1	1.04	123-1
Clear	2.35	55-1	2.17	59-1	1.22	104-1
Brown	2.87	45-1	2.50	51-1	1.39	92-1
Red	3.54	36-1	3.29	39-1	2.13	60-1
White	4.62	28-1	4.08	31-1	2.57	50-1
Green	5.90	22-1	5.01	26-1	3.06	42-1
Blue	6.27	20-1	5.33	24-1	3.36	38-1
Yellow	9.74	13-1	5.87	22-1	3.66	35-1
Black	13.21	10-1	10.82	12-1	6.29	20-1
Purple	20.00	6-1	16.10	8-1	7.40	17-1
Gray	22.23	5.7-1	17.58	7-1	8.83	14-1
None	25.25	5-1	22.02	6-1	11.08	12-1

All dilutions based on 40 psi. water pressure.  
Additional metering tip sizes available.



NO.	PART NO.	DESCRIPTION
1	28-1	Spray Gun
2	97-27	Quick Disconnect
3	24-8-8	Water Nozzle
4	44-116-1	Screw ½" Lg.
5	28-13	Pro Foam Gun Assembly
6	24-25	O-Ring
7	28-6	Bottle Cap
8	44-116-2	Screw 3/8" Lg.
9	28-7	Bottle
NO.	PART NO.	DESCRIPTION

10	28-4	Pro Foam Wand
11	28-12	Internal Screen
12	28-5	End Cap
13	150-34	Strainer Washer
14	28-400-1	Wand Assembly
15	100-15K	Metering Tip Kit
16	100-12-7	Vinyl Tubing
17	24-11SP	Strainer Washer (80-Mesh)