



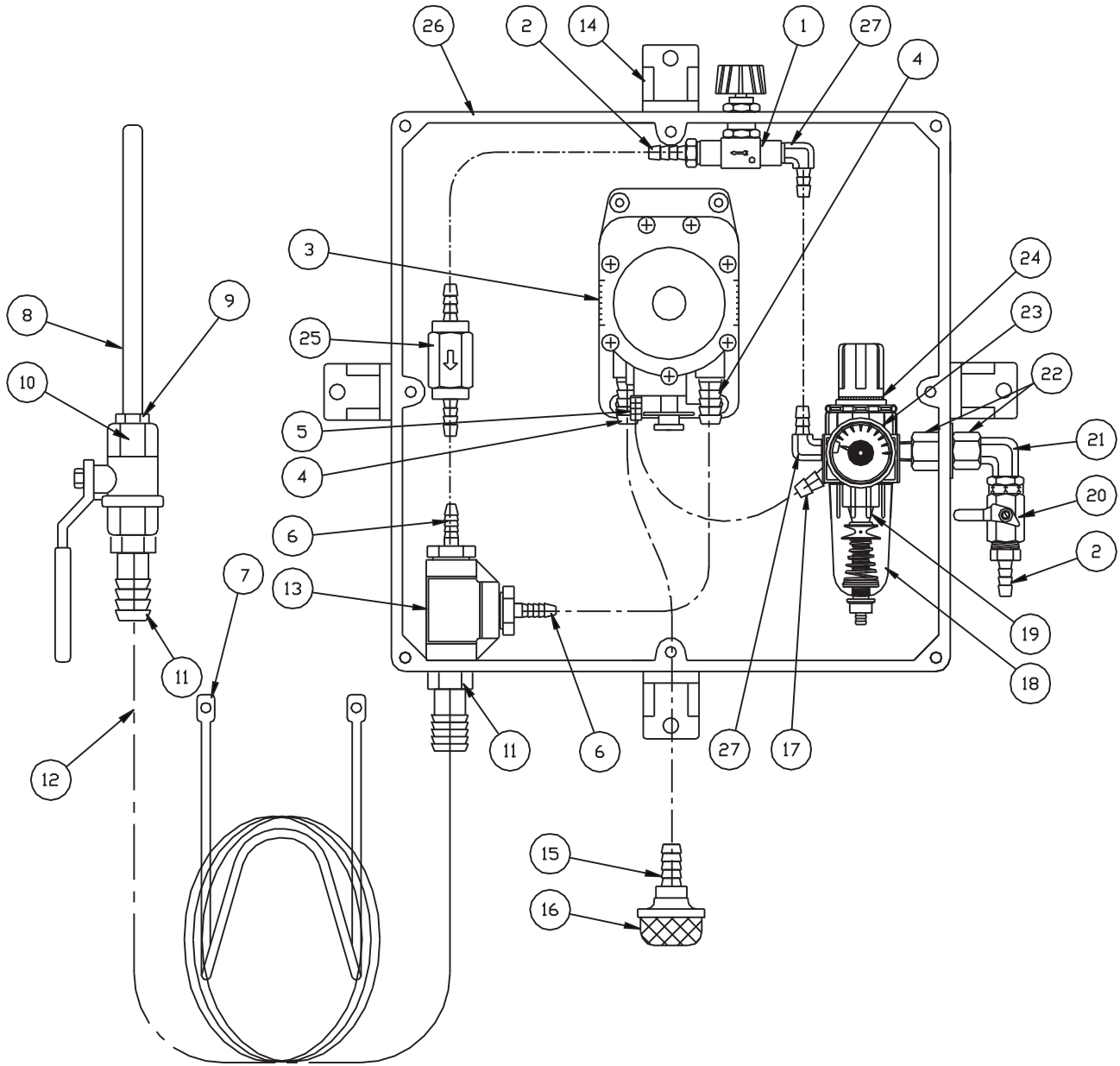
900-WALL



OWNER'S MANUAL

DEMA[®]

900-WALL



FRONT VIEW - CONTROL BOX
COVER REMOVED

900-WALL

PARTS LIST

ITEM	PART NO.	DESCRIPTION
8-11	9SSWA38	S.S. WAND ASSEMBLY
1	9NV14Y	NEEDLE VALVE (WET FOAM / DRY FOAM)
2	9HBB1438	BRASS HOSE BARB 1/4"X3/8"
3	9P56	PUMP
4	9HB5638	PUMP HOSE BARB 3/8"
5	9HB14P	PUMP HOSE BARB 1/4"
6	9HBSS1238	S.S. HOSE BARB 1/2"X3/8"
7	9SSHH	S.S. HOSE HANGER
8	9W387	S.S. WAND 3/8"X7"
9	9HHSB1238	S.S. HEX HEAD BUSHING 1/2"X3/8"
10	9HV60	S.S. BALL VALVE 1/2"
11	9HBSS1234	S.S. HOSE BARB 1/2"X3/4"
12	9H34-50'	DISCHARGE HOSE 3/4" IDX50'
13	9SST12	S.S. TEE 1/2"
14	9PBFT	POLYETHYLENE BOX MOUNTING FOOT WITH SCREW
15	9HB1438	POLY HOSE BARB 1/4"X3/8"
16	9STR14	STRAINER
17	9HBBEL1814	BRASS HOSE BARB ELBOW 1/8"X1/4"
18	9ABR15	REPLACEMENT AIR BOWL
19	9ARF15	REPLACEMENT AIR FILTER ELEMENT
20	9BVB14	BRASS BALL VALVE 1/4"
21	9BEL14M14M	BRASS ELBOW 1/4"
22	9BA25	BRASS MALE / FEMALE ADAPTER 1/4"
23	9AG100	AIR PRESSURE GAUGE
24	9R15	AIR REGULATOR / FILTER UNIT (INCLUDES# 18 & 19)
25	9CV38	PVC CHECK VALVE
26	9PB12126	12X12X6 POLYETHYLENE BOX
27	9HBBEL1438	BRASS HOSE BARB ELBOW 1/4"X3/8"
28	9PL1212	12X12 POLYETHYLENE LID

DEMA[®]

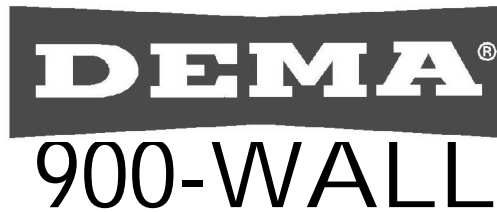
900-WALL

SAFETY INSTRUCTIONS

1. ALWAYS WEAR SAFETY GOGGLES AND PROTECTIVE GLOVES WHILE OPERATING FOAM UNIT.
2. AVOID CONTACT OF CLEANING AGENT WITH SKIN AND EYES. IF CONTACT OCCURS RINSE AFFECTED AREA WITH WATER FOR 15 MINUTES AND GET MEDICAL ATTENTION IF NEEDED.
3. AFTER USE, CLOSE THE AIR INLET VALVE AND RELIEVE ALL REMAINING PRESSURE IN THE SYSTEM BY OPENING THE DISCHARGE BALL VALVE (ITEM# 10). WHEN ALL THE PRESSURE IS RELIEVED CLOSE THE BALL VALVE.
4. NEVER POINT THE DISCHARGE BALL VALVE AT ANYONE.
5. BE SURE TO FLUSH THE UNIT WITH FRESH WATER FOR 5 MINUTES WHEN SWITCHING FROM AN ALKALINE TO AN ACID OR AN ACID TO AN ALKALINE. WE RECOMMEND USING SEPARATE CONTAINERS FOR ACIDS AND ALKALIES.

INSTALLATION INSTRUCTIONS

1. READ ALL INSTRUCTIONS BEFORE INSTALLING THE FOAM UNIT.
2. REMOVE ALL PARTS FROM SHIPPING BOX.
3. SELECT DESIRED AREA TO MOUNT PVC CONTROL BOX. WE RECOMMEND THAT THE CONTROL BOX IS MOUNTED 6 FEET OR LESS FROM THE FLOOR.
4. MOUNT THE CONTROL BOX USING FOUR OF THE SCREWS PROVIDED.
NOTE: WHEN DRILLING HOLES FOR THE PLASTIC ANCHORS PROVIDED WITH THE SCREWS, USE A 5/16" DRILL BIT.
5. MOUNT THE HOSE HANGER (ITEM# 7) IN A CONVENIENT LOCATION USING THE TWO REMAINING SCREWS.
8. ATTACH THE DISCHARGE HOSE (ITEM# 12) TO THE HOSE BARB (ITEM# 11) SECURING IT WITH A HOSE CLAMP.
NOTE: USE ONLY ENOUGH DISCHARGE HOSE TO REACH THE FARTHEST POINT OF USE. CUT ANY EXTRA HOSE OFF AND DISCARD. (EXTRA HOSE CAN MAKE FOAM ADJUSTMENT MORE DIFFICULT.)
9. ATTACH A 3/8" I.D. AIR LINE FROM YOUR AIR COMPRESSOR TO THE CONTROL BOX.
NOTE: THE AIR COMPRESSOR SHOULD BE ABLE TO MAINTAIN AT LEAST 60 P.S.I. AT 4 CFM DURING OPERATION OF THE FOAMER. WE RECOMMEND AT LEAST A 3 H.P. COMPRESSOR WITH A 12 GALLON TANK.



OPERATION INSTRUCTIONS

1. FILL A DRUM WITH COMBINATION OF WATER AND FOAMING CHEMICAL, 4 - 6 OZ. OF CHEMICAL PER GALLON OF WATER IS RECOMMENDED. POSITION THE DRUM SO THE STRAINER (ITEM# 16) CAN REACH THE BOTTOM OF THE DRUM.
2. WITH BALL VALVE (ITEM# 10) IN THE CLOSED POSITION, OPEN THE AIR INLET VALVE (ITEM# 20).
3. SLOWLY OPEN THE BALL VALVE (ITEM# 10).
4. ADJUST THE **WET FOAM/DRY FOAM** VALVE (ITEM# 1) TO DESIRED WETNESS OR DRYNESS OF FOAM FOLLOWING THE STEPS BELOW:
 - A. CLOSE VALVE COMPLETELY IN CLOCKWISE DIRECTION.
 - B. OPEN VALVE IN COUNTER-CLOCKWISE DIRECTION 3 COMPLETE TURNS.
 - C. CONTINUE TO OPEN VALVE IN 1/4 TURN INCREMENTS ALLOWING 30 SECONDS BETWEEN ADJUSTMENTS UNTIL PROPER CONSISTENCY OF FOAM IS ACHIEVED.
 - D. IF THE VALVE IS OPEN TOO FAR IT CAN CAUSE THE PUMP TO STALL OUT. IF THIS OCCURS BEGIN AGAIN WITH STEP A.

AFTER USE INSTRUCTIONS

1. REMOVE THE SUCTION HOSE (ITEM# 16) FROM THE MIXED CONTAINER AND PLACE THE SUCTION HOSE IN A GALLON OF FRESH WATER. WITH THE DISCHARGE BALL VALVE (ITEM# 10) OPEN RUN THE UNIT UNTIL THE GALLON OF WATER HAS GONE THROUGH THE UNIT AND DISCHARGED OUT OF THE DISCHARGE HOSE.
2. CLOSE THE AIR INLET VALVE (ITEM# 20) AND RELIEVE ANY REMAINING PRESSURE IN THE SYSTEM BY HAVING THE DISCHARGE BALL VALVE (ITEM# 10) IN THE OPEN POSITION.

ACCEPTABLE PRODUCTS

- ALKALINE CLEANERS
- CAUSTIC CLEANERS
- SANITIZERS
- PHOSPHORIC ACIDS ONLY

UNACCEPTABLE PRODUCTS

- STRONG ACIDS
- ALL HYDROCARBONS
- D-LIMONENE

RETURNS: NO MERCHANDISE MAY BE RETURNED FOR CREDIT WITHOUT DEMA'S WRITTEN PERMISSION. RETURN MERCHANDISE AUTHORIZATION NUMBER REQUIRED IN ADVANCE OF RETURN.

WARRANTY: DEMA products are warranted against defective material and workmanship under normal use and service for one year from the date of manufacture. This limited warranty does not apply to any products which have a normal life shorter than one year or failure and damage caused by chemicals, corrosion, improper voltage supply, physical abuse, or misapplication. Rubber and synthetic rubber parts such as "o"- rings, diaphragms, squeeze tubing and gaskets are considered expendable and are not covered under warranty. This warranty is extended only to the original buyer of DEMA products. If products are altered or repaired without prior approval of DEMA, this warranty will be void.

Defective units or parts should be returned to the factory with transportation prepaid.

If inspection shows them to be defective, they will be repaired or replaced without charge, F.O.B. factory. DEMA assumes no liability for damages. Return merchandise authorization number, to return units for repair or replacement, must be granted in advance of return.



TROUBLESHOOTING INSTRUCTIONS

1. CHECK FOR PROPER AIR PRESSURE (60 PSI OR MORE INTO UNIT, 60 PSI ON AG100 (ITEM# 23).
2. CHECK AIR INLET FILTER (ITEM# 19) FOR DEBRIS SUCH AS WATER, OIL, OR RUST PARTICLES. CLEAN BY PRESSING UP ON THE BOTTOM OF THE FILTER.
3. CHECK FOR PLUGGED STRAINER (ITEM# 16). REPLACE STRAINER IF NECESSARY, **STRAINER MUST BE USED**.
4. IF **WET FOAM/DRY FOAM** VALVE (ITEM# 1) IS OPEN TOO FAR THE PUMP WILL NOT CYCLE PROPERLY DUE TO A LACK OF AIR PRESSURE. IF THIS OCCURS, RESET VALVE AS DESCRIBED IN OPERATING INSTRUCTION #4.
5. MAKE SURE PROPER FOAMING CHEMICAL AND CONCENTRATION IS BEING USED.
6. IF AIR PASSES THROUGH THE PUMP (ITEM# 3) WITHOUT CYCLING, REPLACE PUMP.
7. IF FOAM SOLUTION BACKS UP INTO AIR FILTER (ITEM# 19) THE CHECK VALVE (ITEM# 25) NEEDS TO BE REPLACED.
8. IF FOAM COMES OUT WET NO MATTER WHERE THE **WET FOAM/DRY FOAM** VALVE IS POSITIONED, THE CHECK VALVE (ITEM# 25) MAY NEED TO BE REPLACED.
9. IF UNIT FOAMS AT REDUCED PRESSURE:
 - A. CHECK THE AIR SUPPLY INTO THE UNIT. IF IT IS LOW, TURN THE UNIT OFF UNTIL THE COMPRESSOR CAN CATCH UP.
 - B. IF THE AIR SUPPLY IS 60 PSI OR ABOVE, CHECK THE INTERNAL AIR GAUGE (ITEM# 23) WHICH SHOULD READ NEAR 60 PSI. IF THE GAUGE IS MORE OF LESS THAN 60 PSI, ADJUST THE PRESSURE BY TURNING THE KNOB ON THE TOP OF THE REGULATOR (ITEM# 24).
 - C. IF BOTH OF THE ABOVE ARE O.K., THE STAINLESS STEEL MIXING MESH COULD BE PLUGGED. REMOVE AND CLEAN IT FOLLOWING THE INSTRUCTIONS BELOW:
 1. BE SURE THE AIR INLET VALVE (ITEM# 20) IS CLOSED AND RELIEVE THE PRESSURE IN THE UNIT BY HAVING THE DISCHARGE BALL VALVE (ITEM# 10) IN THE OPEN POSITION.
 2. REMOVE THE HOSE BARB (ITEM# 11) FROM THE TEE (ITEM# 13).
 3. REMOVE THE SCREEN AND MIXING MESH FROM INSIDE THE TEE (ITEM# 13).
 4. CLEAN ANY PARTICLES FROM THE MIXING MESH AND THE SCREEN. (IF THERE ARE A LOT OF PARTICLES IN THE MESH AND SCREEN, MAKE SURE THE STRAINER IS STILL IN PLACE).
 5. REPLACE THE MIXING MESH THEN THE SCREEN INTO THE BOTTOM OF THE TEE (ITEM# 13) AND SCREW THE HOSE BARB (ITEM# 11) BACK INTO THE TEE (ITEM# 13). (IT IS RECOMMENDED TO USE A PIPE THREAD SEALANT WHEN REINSTALLING THE HOSE BARB INTO THE TEE.