



MixRite TF-10



MixRite TF 10 Fertilizer and Chemicals Injector

Congratulations on your purchase of one of our high quality products.

To get the best results from the MixRite TF-10 Proportioning Dosing Injector it is important to spend a few minutes reading carefully the explanations and recommendations in this user's manual.

Operating the Injector

The proportioning dosing injector is fitted on the water line. The flow of water passing through the injector activates it and causes the pumping of liquid fertilizer (or other liquid additive) and injects it in a relative quantity into the water line.

The MixRite TF 10 proportioning dosing injector will operate in the following conditions:

The flow rate of the water passing through the injector is

Between 0.5 and 10 m³/hour.(2 and 45 GPM)

The water pressure is between 1 and 8 Bar (14.7and 120 PSI)

The water & air temperatures are not less than 4°C and not more than 40°C .(39°F and not more then 104°F)

Head loss: Low flow 0.1 Bar – High flow 0.9 Bar

The flow rate of the fertilizer and chemicals can be adjusted relative to the flow rate of the water in the range of 0.1% to 1% for Model 01

0.2% to 2% for Model 02

1% to 5% for Model 05.

Installing the Injector

Check that Injector package contains the following items:

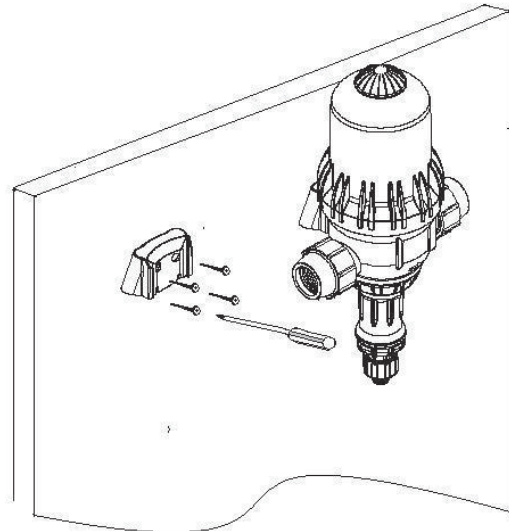
One proportioning dosing injector to which are attached two couplings (Plasson) for a 50 mm. PE pipe or two BSPT 1½" or NPT1½" threaded couplings according to the model.

One flexible suction tube to which is attached a flat seal and a filter.

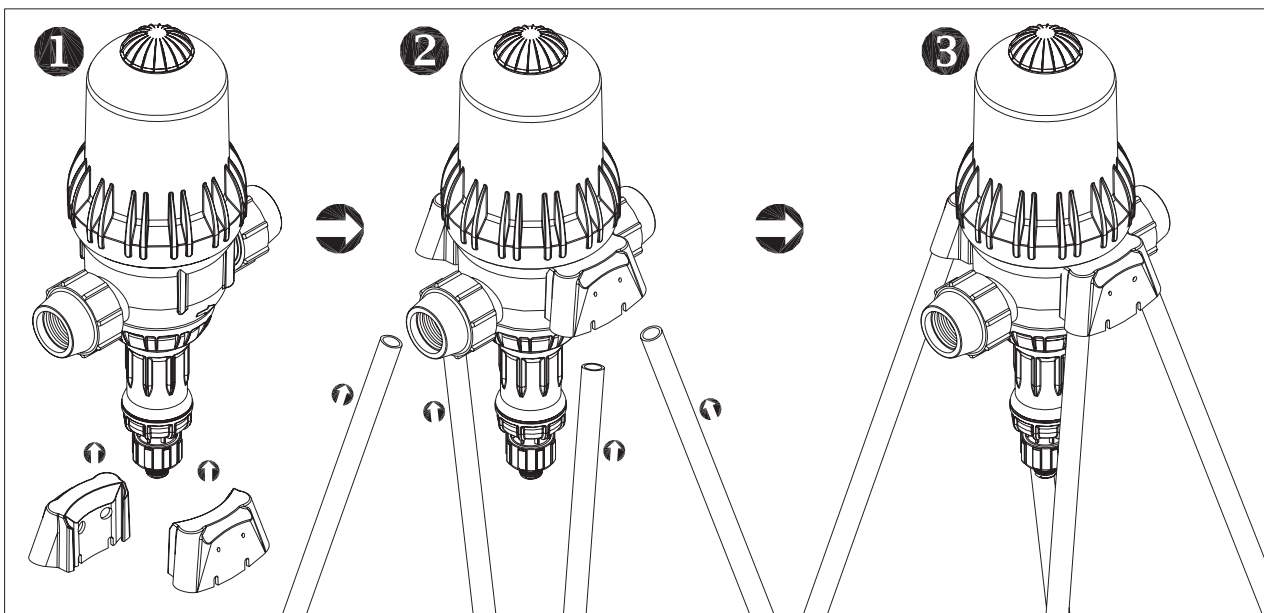
One stand that includes 4 feet and 2 brackets (Optional)

One User's manual

To fit to a wall – connect one of the brackets to the wall by inserting 4 screws in the Bracket.

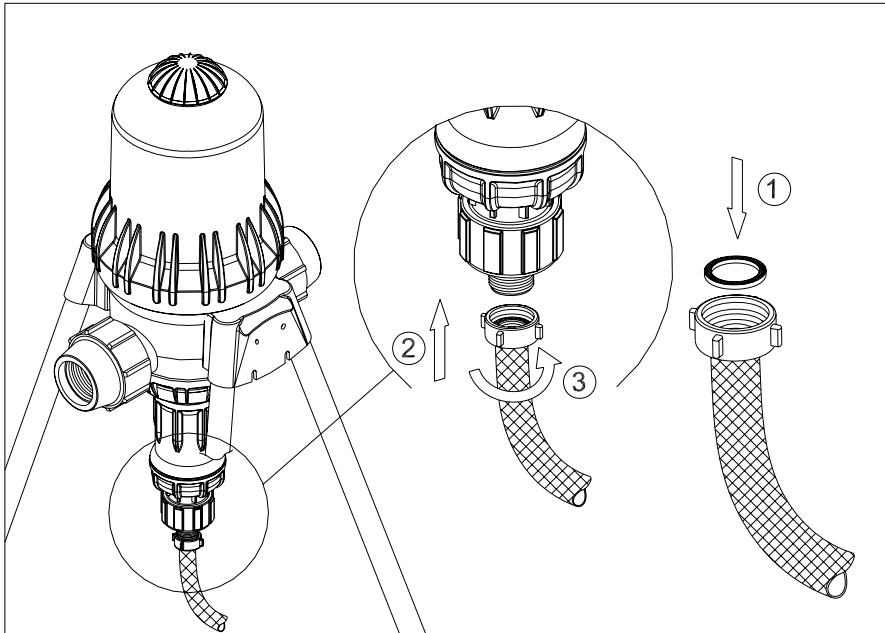


To install the stand – insert the brackets into the grooves of the body at the bottom and press up until they fit in place. Place the legs in the holes and press until they lock.



Connection of the suction tube

Insert the flat seal into the nut of the coupling on the end of the tube (1). Thread and tighten the nut to the inlet valve on the underside of the injector. Make sure that the nut is threaded and tightened properly (2, 3).



Connection of the Injector to a 1½" line - MixRite TF 10

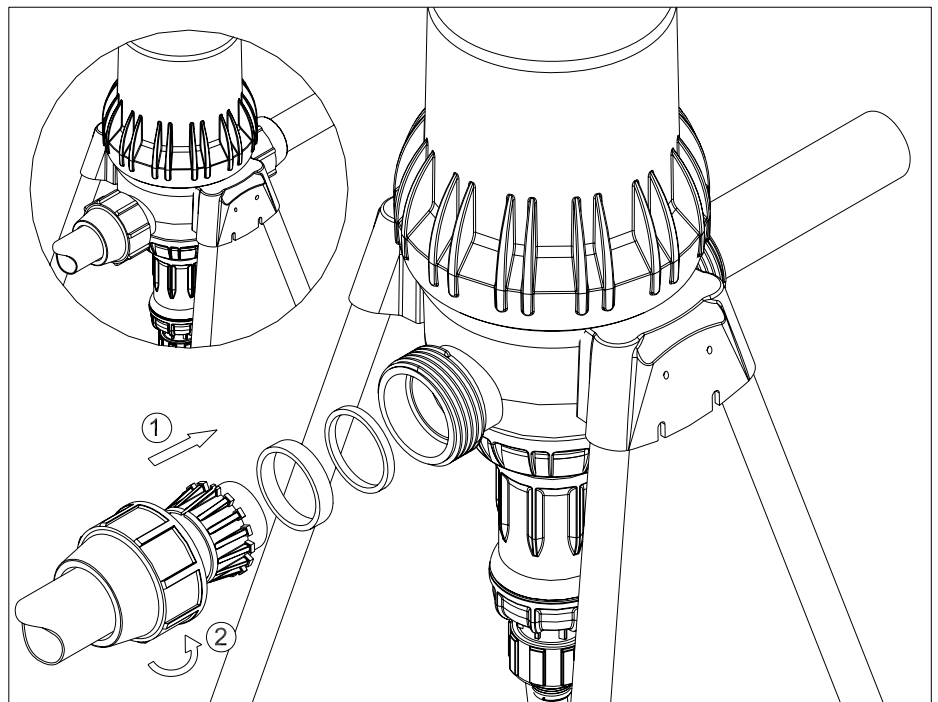
Note the direction of the water flow. Place the injector so that the arrow stamped on the body of the injector and the red arrow point in the direction of the water flow. Connect the injector using the plastic couplings.

Connection of the Injector to a 50 mm. polyethylene line - MixRite TF 10

Note the direction of the water flow. Place the injector so that the arrow stamped on the body of the injector and the red arrow point in the direction of the water flow. Make sure that the ends of the entry pipe and exit pipe are cut straight and that the end is in the shape of a rounded cone. The distance between the entry end and the exit ends should be about 20 cm. (7.87")

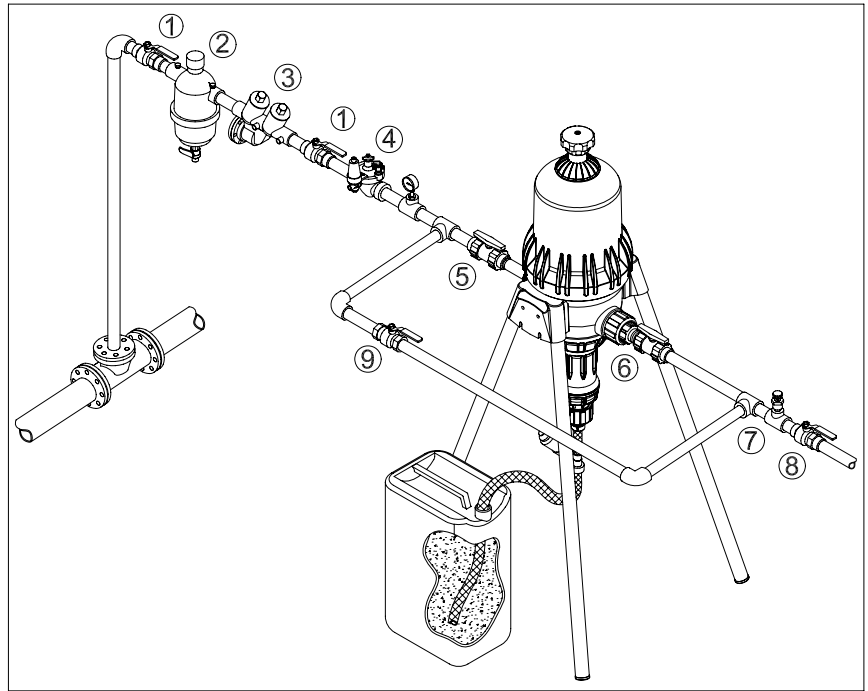
Remove the 50 mm nut from the injector and the white ring and slide them onto the pipe at a short distance from the end. Check that there is an accessory seal 50 and that the sealing 50 fixture closes the unit from outside. 1) Insert the pipe into the entry opening or exit opening in accordance with the direction indicated and push it so that the pipe penetrates, passes the seal and stops at the end of the track.

To facilitate the penetration of the pipe spread a little silicone grease on the end of the tube before inserting it. Push the white ring in until it reaches the thread (2). Close the nut and tighten securely. In the same way connect the injector to the other pipe.



Installing the injector on an irrigation line

It is recommended to fit a **main valve**(1) at the beginning of the line as well as a **backflow prevention valve** (3). On a drinking water line, according to local regulations, it is obligatory to install a backflow prevention valve to prevent entry of chemicals into the drinking water. Then as shown in the diagram the following have to be installed: A **pressure reducer** (4) to protect the injector from excess pressure, a **filter** (2) of at least 75 mesh, a valve (6) before entry to the injector vacuum valve (7) to prevent siphoning when the injector is not operating, and valves to the feed lines have then to be installed. It is advisable to add a bypass pipe through which the water can flow to allow irrigation without fertilizer or when it is required to dismantle the injector.

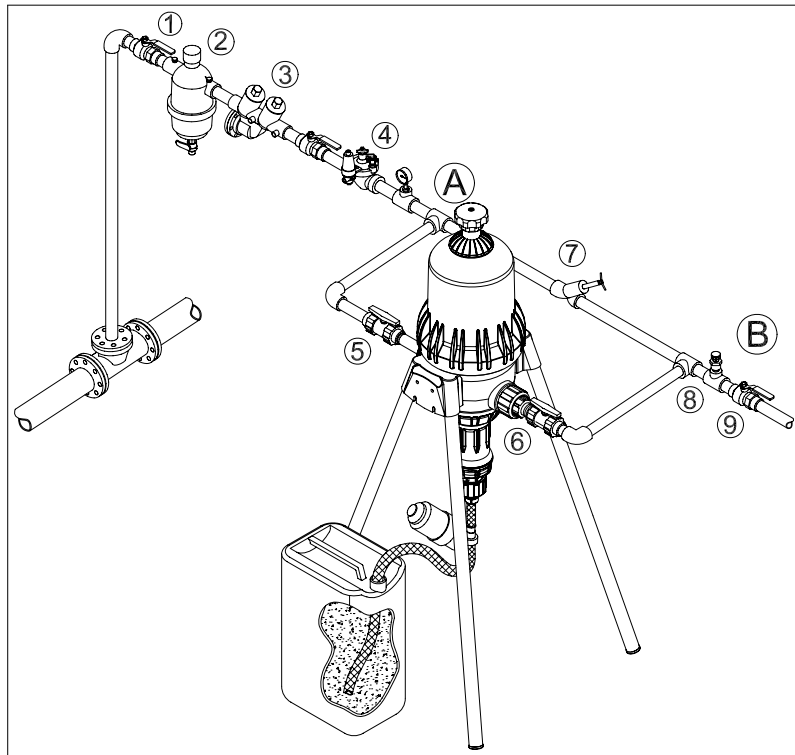


Installation of the injector on a bypass line

It is necessary to fit the proportional dosing injector to a bypass line when irrigating with a flow rate higher than the maximum recommended for the injector. The bypass enables only part of the water flow to pass through the bypass and activate the injector, while the remainder passes through the main line. Using the choke valve (7) on the main line, the flow of water passing through the main line is regulated so that the rest of the flow passes through the bypass and activates the injector. The metering must be calculated in accordance with the flow rate passing through both lines.

It is necessary to fit a main valve (1) at the beginning of the line and after it a **backflow prevention valve** (3), **pressure reducer** (4), a water filter (2) of at least 75 mesh, a T connection (A) for diversion from the main line to the bypass, a valve on the bypass before the inlet to the proportioning dosing injector, a valve after the outlet from the injector (9) on the bypass, and a T-connector for the return to the main line (B). A choke valve, preferably an angled valve, should be fitted on the main line between the bypass junction and the return connection, to regulate the flow rates between the main line and the bypass.

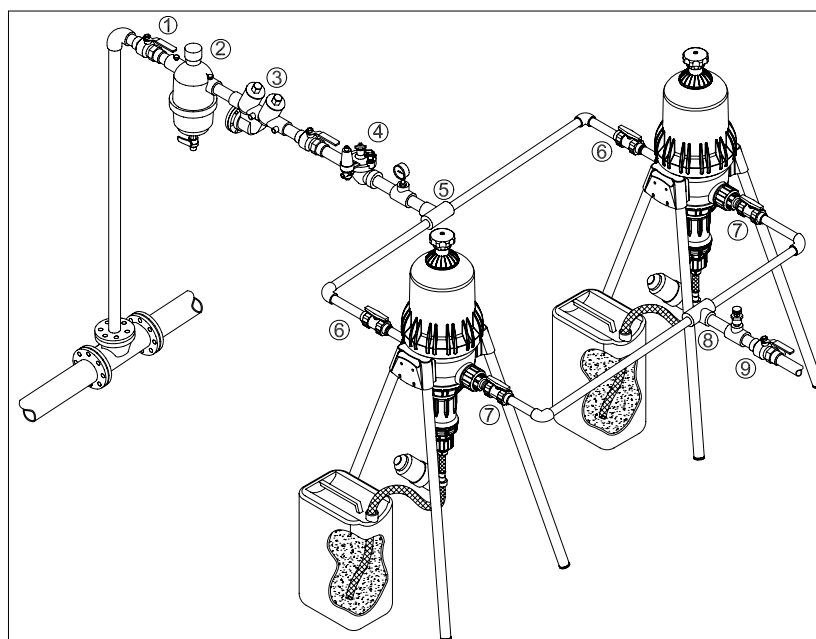
An **anti vacuum valve** (8) should be fitted together with valves for the branch lines after the return connection from the bypass.



Installation of two injectors in parallel

When the water flow rate in the irrigation line is higher than the maximum nominal flow rate of the injectors, the water may be divided between two injectors. If the 2 injectors are used for pumping the same type of fertilizer, the scales should be adjusted in an identical manner to the same level of metering. Two different additives may be metered at different levels. The metering in each unit must be calculated separately for each flow rate passing through each of the two injectors.

It is necessary to fit a main valve (1) at the beginning of the water line water and after it, a backflow prevention valve (3) , a pressure reducer (4), a filter (2) with at least a 75 mesh. A T-junction (5) is then fitted from the main line into 2 lines. To each of these lines are fitted a regulation valve (6), the injector, and a non-return valve immediately after the injector (7) and a connection back to the main line (8). Care must be taken to ensure that both branches are exactly the same length.



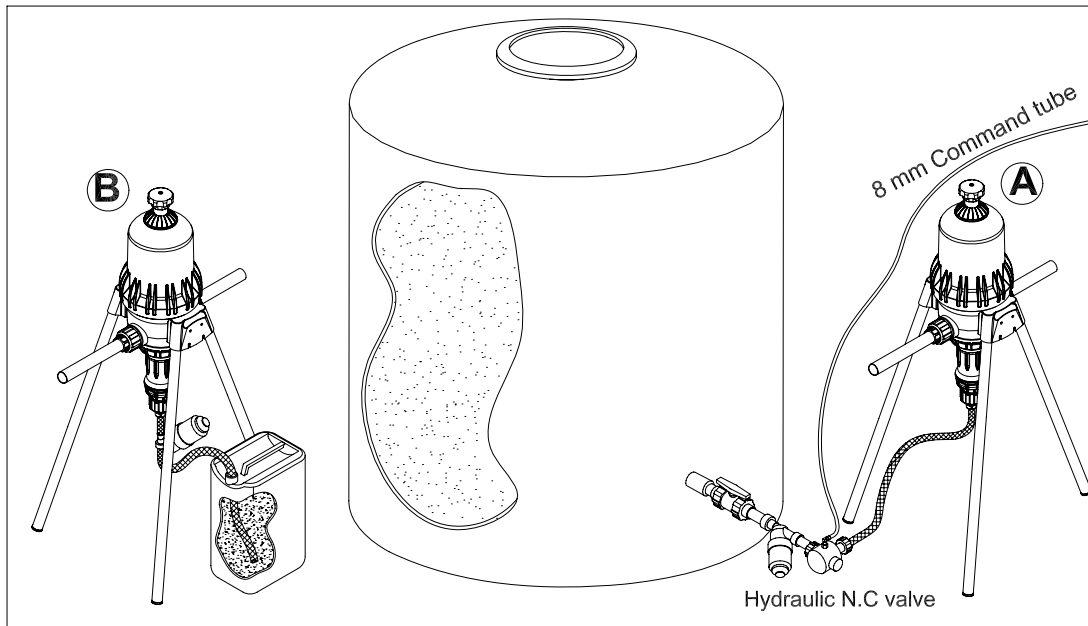
Connection to the Fertilizer Tank

Connect the suction tube to the fertilizer tank (preferably about 5 cm (2") above the bottom). The liquid fertilizer must be passed through a filter with at least a 120 mesh.

If the fertilizer is drawn from an open tank, a heavy weight should be placed at the end of the suction tube that will keep the opening of the suction tube inside the additive liquid and prevent the tube from floating and falling outside the tank.

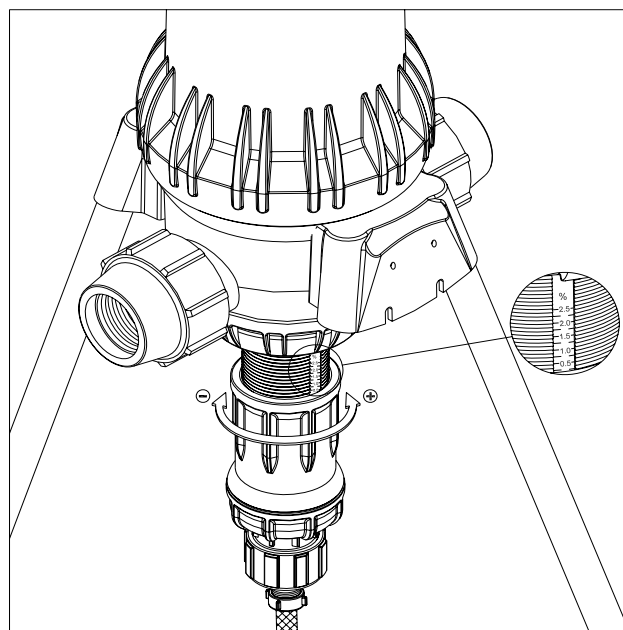
Make sure that the level of the fertilizer is always below the injector. Otherwise uncontrolled flow of the fertilizer may occur.

When connecting to a large fertilizer tank use a valve that is not affected by the fertilizer and an N.C. valve to prevent the siphon effect. The valve will only open when there is water pressure in the irrigation line



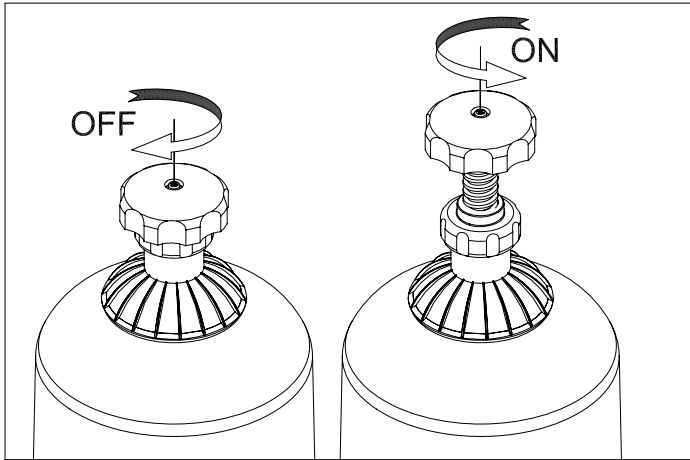
Adjustment of Metering

On the metering cylinder there is a scale indicating the percentage of additives. When the entry valve is closed and there is no water pressure in the injector, turn the adjustment control nut and set its upper edge on the percentage required. Turning it counterclockwise increases the amount of fertilizer metered. Turning it clockwise decreases the amount of fertilizer metered. The actual fertilizer metering rate should be checked. If necessary, adjust by increasing or decreasing the adjustment control nut.



Manual On/Off Control

In models with a manual on/off control the suction can be controlled while the water flows through the injector. Turning the on/off handle clockwise to the end of the threads stops the suction. Turning the on/off handle counter clockwise till it is fully open starts the operation of the suction unit.



Hydraulic On/Off Control

In models with a hydraulic on/off control the suction can be controlled while the water continues to flow through the injector, using a connection to the control tubes that are controlled by the irrigation computer by means of electric valves.



Routine Maintenance

Regularly clean the water filter at the the injector inlet and the fertilizer suction filter.

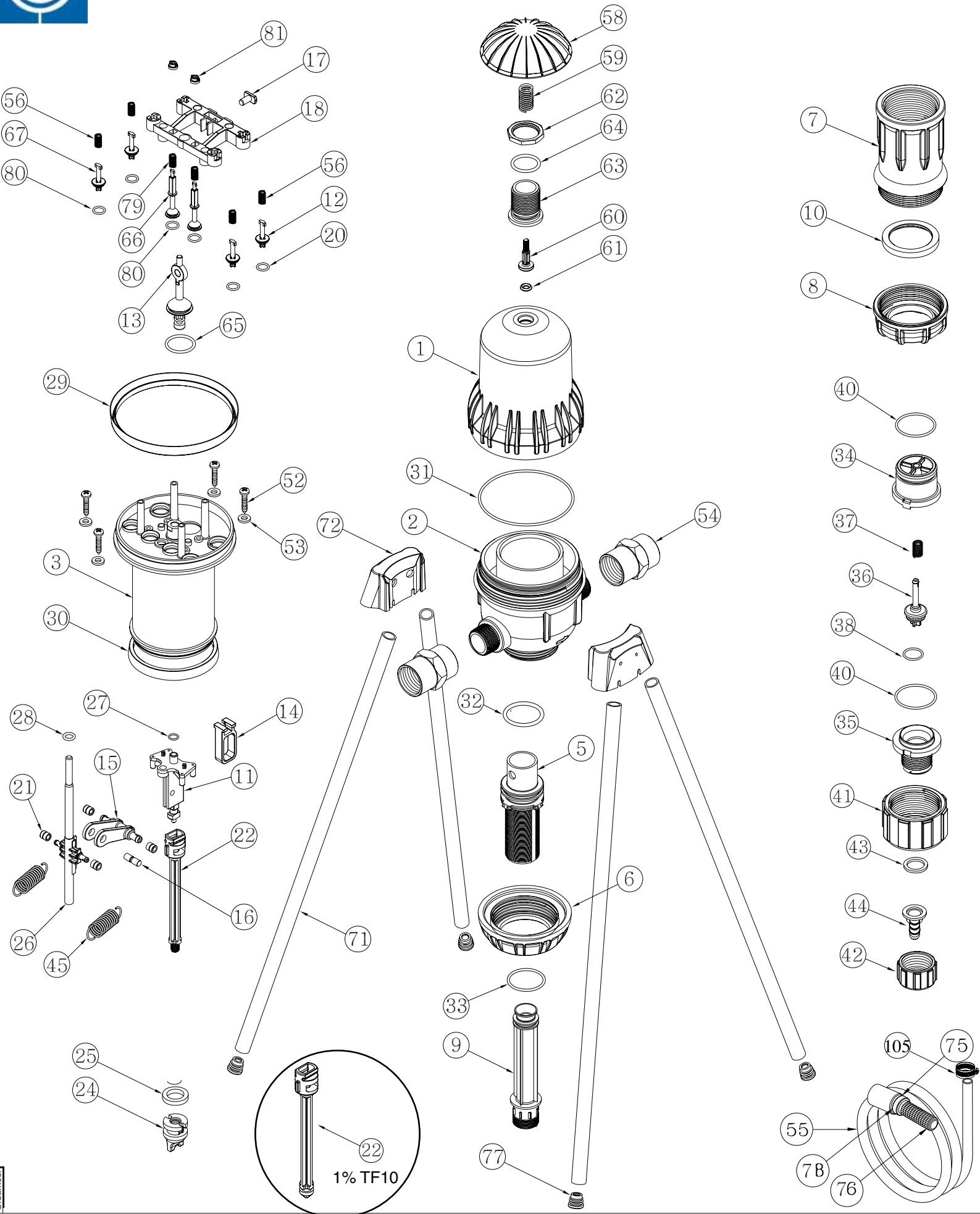
If it is planned not to operate the injector for a long period, operate the injector for a few minutes with the metering tube immersed in a tank with clean water to remove fertilizer residues from the injector preventing them solidifying in the injector.

If there is a fear of frost, and the temperature falling below 4° C (39°F), empty the water from the injector. To do this, close the entry and exit valves securely. Open and dismantle the 1" record nut that connects the suction pipe. Press the backflow prevention valve using a finger or a thin rod, allowing all the water that has collected in the injector to drain out while pressing the air release valve at the top of the injector.



TF10-Bsp/NPT / 50mm AirReleaser

24/10/2008





PARTS

TF 10 BSP-001 A/R 28090100000, on/off 28090110000
 TF 10 BSP-002 A/R 28090200000, on/off 28090210000
 TF 10 BSP-005 A/R 28090500000, on/off 28090510000

TF 10 NPT-001 A/R 28080100000, on/off 28080110000
 TF 10 NPT-002 A/R 28080200000, on/off 28080210000
 TF 10 NPT-005 A/R 28080500000, on/off 28080510000

TF 10 50mm-001 A/R 28100100000, on/off 28100110000
 TF 10 50mm-002 A/R 28100200000, on/off 28100210000
 TF 10 50mm-005 A/R 28100500000, on/off 28100510000

No.	COMPONENT NAME	COMPONENT CODE	No.	COMPONENT NAME	COMPONENT CODE
1	TF 10 COVER	35101011301	36	PISTON CHECK VALVE	36030162284
2	BODY 11/2" BSP	35102091302	37	SPRING FOR CHECK VALVE	38060797429
2	BODY 50mm	351P2011302			
2	BODY 11/2" NPT	35102081302			
3	PISTON TF 10	35103013103	38	O RING 2-206	38022060084
4			39		
5	CYLINDER SUPPORT TF10	35104013304	40	O RING 30*3	38003032246
6	CYLINDER SUPPORT NUT TF10	35105011806	41	CHECK VALVE NUT	36030622100
7	ADJUSTMENT NUT TF10	35107011807	42	NUT 3/4"HOLE 20	36030120033
8	LATCH NUT TF10	35108011808	43	WASHER FOR SWIVEL 3/4"	37245581200
9	CYLINDER 1% MIXRITE TF 10	35109016109	44	RECORD BODY 19X3/4"	32454759122
9	CYLINDER 2% MIXRITE TF 10	35110016109	45	SPRING 1 TF 10	38000001149
9	CYLINDER 5% MIXRITE TF 10	35111016109			
10	CYLINDER SUPPORT SPACER TF10	35117013110			
11	INSIDE BASE TF10	35112010211	52	EJOTE SCREW WN-1412	38004181152
12	LARGE EXIT VALVE 3 TF10	35119011112	53	SS WASHER	38004001153
13	CENTRAL VALVE 3 TF10	35113011113	54	11/2" FEMALE PIPE COUPLING	38050107015
14	TOGGLE FRAME TF10	35113011114	55	SUCTION TUBE 19mm	36030001955
15	TOGGLE TF10	35116011115	56	LARGE EX. VALVE SPRING	38000001150
16	TOGGLE PIN TF10	35113011116	58	AIR RELEASE	35016003858
17	BRIDGE PIN TF10	35113011117	59	SPRING 5	38060000059
18	BRIDGE TF10	35106013118	60	AIR RELEASER SCREW	36030284360
19			61	"O" RING 2-107	38060210761
20	O RING 2-112	38021129280	62	NUT 3/4"	38000007389
21	TOGGLE BEARING	35121011121	63	ADAPTOR 3/4"	35000003863
22	PISTON BAR 2%,5% TF10	35122013122	64	O RING 20X3	38020032264
22	PISTON BAR 1% TF10	35122013124	65	O RING 2-116	38021169292
23			66	INNER VALVE TF10	35120011166
24	SUCTION PISTON 2% MIXRITE TF 10	35118021124	67	SMALL EXIT VALVE TF10	35119011167
24	SUCTION PISTON 5% MIXRITE TF 10	35118051124	71	EASEL LEG TF10	38000004171
25	SUCTION SEAL 1% MIXRITE TF 10	35102011225	72	TF10 BRACKET	35125011872
25	SUCTION SEAL 2% MIXRITE TF 10	35102021225	75	HOSE COVER 19 MM	36030111935
25	SUCTION SEAL 5% MIXRITE TF 10	35102051225	76	SUCTION FILTER 30	36030013036
26	OPERATION ROD	35114011126	77	EASEL LEG PLUG D. 22	38001003277
27	"O" Ring 12X2	37005852002	78	FILTER WEIGHT	38002000107
28	"O" RING 2-012 VITON	37005806000	79	INNER VALVE SPRING	38000001151
29	UPPER PISTON SEAL	35123012229	80	O RING 2-111	37005821110
30	LOWER PISTON SEAL	35124012230	81	V7 INNER VALVE LOCKER	35028001181
31	O RING 2-362	38023622231	85	ON/OFF KNOB FOR TF	38000007385
32	O RING 2-334	38023342232	86	ON/OFF NUT LEAD FOR TF	38000007386
33	O RING FOR 1%,2% MODEL	36023242233	87	ON/OFF CONNECTOR FOR TF	38000007387
33	O RING 39X4 FOR 5% MODEL	38003942233	88	ON/OFF SCREW CONNECTOR FOR TF	38000007388
34	CHECK VALVE SLEEVE	36030675102	89	ON/OFF 3/4" SCREW NUT	38000007389
35	CHECK VALVE LID	36030101101	90	ON/OFF OPERATING DISC	38000007390
			105	SST CLIP SCREW	38013321202

Troubleshooting Guide

Problem	Check	Solution
The injector does not work	The injector is fitted with the arrows in the opposite direction to the water flow.	Fit The injector with the arrows in the direction of the water flow.
	The inlet and outlet valves are closed.	Open the valves
	The inlet filter is blocked.	Clean the filter.
	There is no water flow at the appropriate pressure.	Open the main valve.
The injector has stopped working	There is no water flow at the appropriate pressure. Open the main valve. Open the nut locking the motor cover, remove the motor cover, and remove the mechanism. Check if the motor seals are defective.	Replace the motor seals.
	Check if the springs are broken.	Replace the springs.
	Check if the seals above the valves are defective or have been displaced.	Replace the seals.
	Check if one of the parts of the mechanism is broken.	Replace the broken part.
There is a leak from the injector.	The leak is from the connection between the body and the cover.	Open and remove the motor cover, replace the seal, fit the cover, and thoroughly tighten the cover locking nut.
	The leak is from the connection of the suction tube.	Remove the suction tube, replace the defective seal and reconnect.
	The leak is from the non-return valve.	Dismantle the non-return valve and replace the defective seal.
There is no suction.	The suction filter is blocked.	Clean the filter.
	Dismantle the injector unit and check if the suction seal is defective.	Replace the suction seal.
	The non-return valve is defective.	Replace the non-return valve.

For advice, technical support and purchase of spare parts, Contact the authorized sales representative in your area.