

DR-100 INSTALLATION INSTRUCTIONS

Mount the reservoir on the side of a dish machine at a convenient height for filling or on the wall at a point higher than desired inlet to wash tank (and within 5 feet of the desired injection point if possible. Wall or machine surface should be perfectly flat to give maximum support. Use 1/4" plastic (copper if desired) tubing from the solenoid valve to the reservoir feed tube.

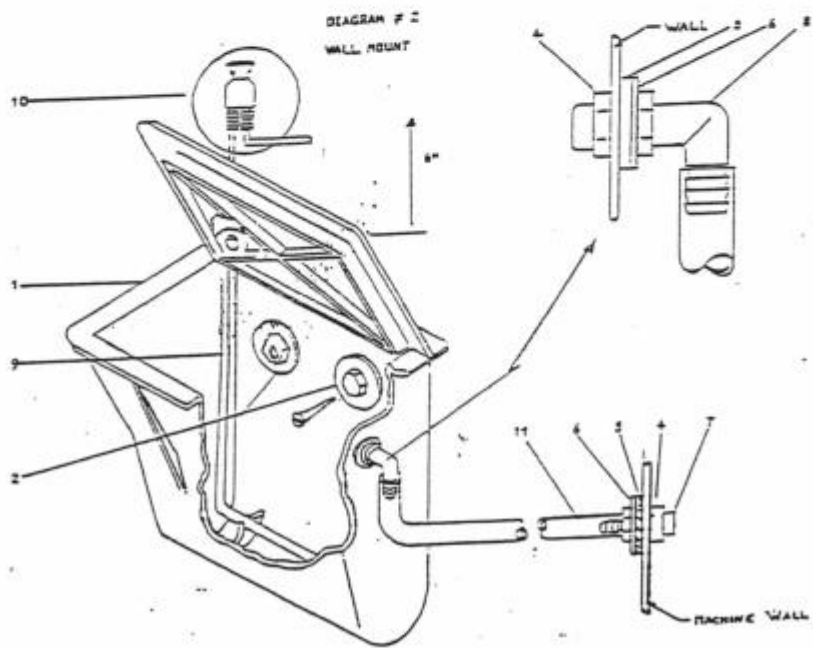
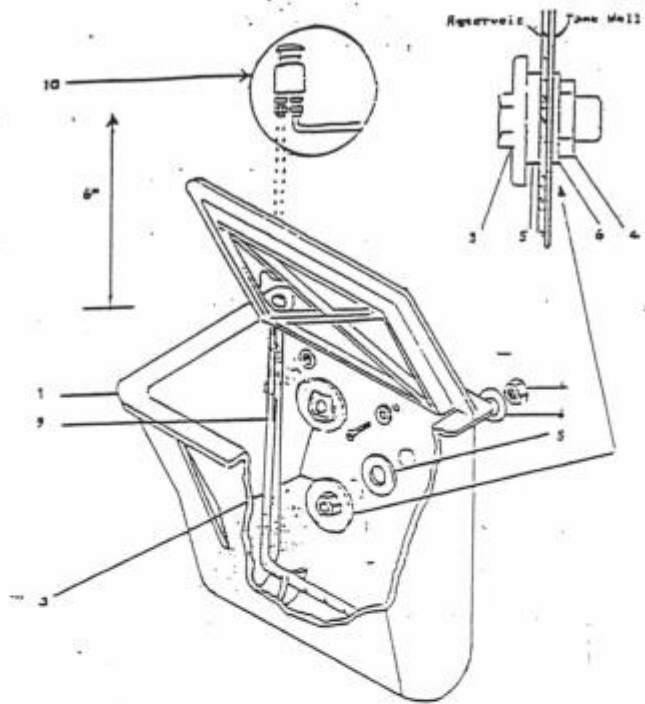
MACHINE MOUNTING - DIAGRAM NO. 1

This installation assumes that you will mount the reservoir to the dish machine and using a bulkhead fitting, allow the diluted product to overflow directly through the back wall of the reservoir, through the side of the dish machine, and into the wash tank. If you are simply mounting the reservoir to a convenient location on the dish machine and will drill the side of the reservoir body to run tubing to a bulkhead fitting in the wash tank, see the next section.

1. Drill two mounting holes through the back of reservoir near the top edge and matching holes in side of dish machine. Use the appropriate bit for threaded bolts or sheet metal screws.
2. Drill a 3/8" pilot hole in the back of your reservoir for the bulkhead fitting and a matching hole in the side of the dish machine. Use a 7/8" Greenlee hole punch to make the bulkhead fitting hole the correct size.
3. Use screws to secure the reservoir to the side of the machine.
4. Place rubber gasket on the threads of the 77 degree elbow bulkhead fitting and insert fitting through dish machine wall. Place the second rubber washer between the dish machine and the reservoir wall. Slide the reservoir into place over the threaded body of the bulkhead fitting, install the plastic washer and hand tighten the plastic nut.
5. Install and tighten the two mounting screws, then tighten the nut on the bulkhead fitting with a wrench until secure.
6. Take the crimped end of the L shaped stainless steel tube and insert it into the 1/4" hole on either the left or right side of the reservoir. Slide the tube down into the reservoir and with the top open, snap it into place in the molded clips at the bottom of the reservoir. Install your vacuum breaker on the top of the stainless steel tube and connect the water supply from your dispenser to the inlet side of the vacuum breaker.

WALL MOUNTING - DIAGRAM NO. 2

1. Drill two 1/4" mounting holes through the back of reservoir near the top edge and matching holes in the wall where you wish to mount the reservoir. It should be accessible for refilling – within reach of the end user. Use the wall anchors and screws to secure the reservoir to the wall.
2. Drill a 3/8" pilot hole in the side of your reservoir for the bulkhead fitting and another hole in the side of the dish machine wash tank for your injection fitting. Use a 7/8" Greenlee hole punch to make the bulkhead fitting holes the correct size.
3. Install a 77 degree elbow assembly in the side of the reservoir and in the dish machine wash tank. Connect the two fittings with a piece of PVC supply tubing.
4. Take the crimped end of the L shaped stainless steel tube and insert it into the 1/4" hole on either the left or right side of the reservoir. Slide the tube down into the reservoir and with the top open, snap it into place in the molded clips at the bottom of the reservoir. Install your vacuum breaker on the top of the stainless steel tube and connect the water supply from your dispenser to the inlet side of the vacuum breaker.



8/1/08